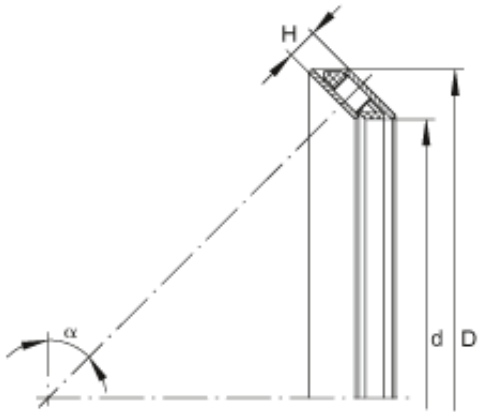




SNR BEARING Accessories LIMITED



INA AXS3550 Axial roller bearing

Bearing No. AXS3550

Size	35x50x6 mm
Bore Diameter	35 mm
Outer Diameter	50 mm
Width	6 mm
d	35 mm
D	50 mm
H - 6 mm / Tolerance: -0,1 / -0,3	6 mm / Tolerance: 0,1 / 0,3
D_a - 35,2 mm / Tolerance: -0,1 / -0,2	35,2 mm / Tolerance: 0,1 / 0,2
d_a	49,2 mm / Tolerance: +0,2 / +0,1
	60 ° / Angle 60 °
m	27 g / Weight
C_a	18200 N / Dynamic load rating (axial)

AXS3550 Bearing 2D drawings and 3D CAD models