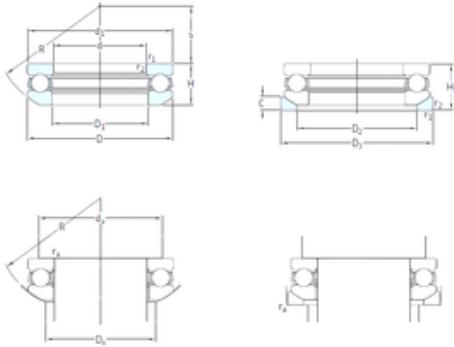




SNR BEARING Accessories LIMITED



SKF 53220+U220 Ball bearing

Bearing No. 53220+U220

53220+U220 Bearing 2D drawings and 3D CAD models

Size	100x150x40.9 mm
Bore Diameter	100 mm
Outer Diameter	150 mm
Width	40,9 mm
d	100 mm
D	150 mm
H	40,9 mm
d1	150 mm
r1 min.	1,1 mm
r2 min.	1,1 mm
s	52 mm
C	14 mm
D1	103 mm
D2	125 mm
D3	155 mm
H1	45 mm
R	112 mm
da min.	130 mm
Da max.	125 mm
rb max.	1 mm
Weight	2,7 Kg
Basic dynamic load rating (C)	119 kN
Basic static load rating (C0)	325 kN
Fatigue load limit (Pu)	10,8
Reference speed	1700 r/min
Limiting speed	2400 r/min



SNR BEARING Accessories LIMITED